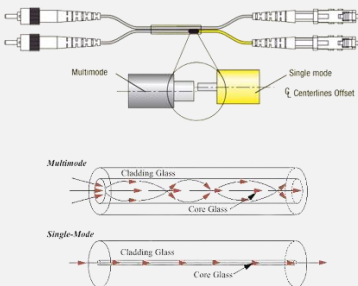


## SCHNELL MULTI MODE FIBER PATCH CORD

Schnell Multimode Fiber Patch Cords ensure reliable, high-performance optical connectivity for LANs, data centers, and telecom networks. Available in OM1, OM2, OM3, and OM4 grades, they are 100% factory-tested for low insertion loss. With flexible slim boots, customizable lengths, and multiple connector types, they are ideal for patch panels, active devices, and outlet terminations.



### DIAGRAM & CONSTRUCTION

Fiber Type	: OM1, OM2, OM3, OM4 (Multimode, 50/125 or 62.5/125 $\mu\text{m}$ )		Jacket Material	: PVC / LSZH / Plenum
Connector Types	: SC, ST, FC, LC, MU, MTRJ		Jacket Color	: Orange (OM1/OM2), Aqua (OM3), Violet (OM4)
Polish Type	: PC / UPC / APC		Boot Style	: Slim-profile with strain relief
Cable Construction	: Simplex / Duplex		Length Options	: 1 m to 30 m (custom lengths available)

### OPTICAL CHARACTERISTICS

Fiber Types	: OM1, OM2, OM3, OM4 (50/125 $\mu\text{m}$ or 62.5/125 $\mu\text{m}$ )
Insertion Loss (IEC 61300-3-4)	: $\leq 0.30$ dB
Return Loss (UPC)	: $\geq 50$ dB
Return Loss (APC)	: $\geq 60$ dB
Durability	: $\leq 0.20$ dB change after 500 cycles change after 500 cycles (IEC 61300-2-2)

### PHYSICAL CHARACTERISTICS

Cable Construction	: Simplex / Duplex
Connector Types	: SC, ST, LC, FC, MU, MTRJ
Jacket Material	: PVC / LSZH / Plenum (OFNP)
Operating Temperature	: $-20$ °C to $+70$ °C
Cable Retention (FOTP-6)	: 33 N at $0^\circ$ for 5 seconds
Coupling Strength	: 33 N
Twist Test (FOTP-36)	: 15 N, 5 turns $\times$ 10 cycles
Flex Test (FOTP-1)	: 0.5 kg @ 25 cm, $\pm 90^\circ$ , 100 cycles

### KEY FEATURES

- 100% factory tested with interferometer and IL/RL measurements
- Available in Simplex and Duplex, OM1 to OM4 grades
- Slim, flexible strain-relief boots ensure durability
- Various jacket and connector options for custom builds

### KEY APPLICATIONS

- Patch panel to equipment interconnections
- Multimode LAN and backbone cabling
- Telecom rooms, data centers, FTTH networks
- Fiber channel and high-speed Ethernet

REACTION TO FIRE		STANDARDS
Flame Retardancy	: IEC 60332-1 compliant (LSZH)	<ul style="list-style-type: none"> <li>• IEC 61300-3-4 (Insertion Loss &amp; Return Loss)</li> <li>• IEC 61300-2-2 (Durability)</li> <li>• FOTP-1, FOTP-6, FOTP-36 (Mechanical testing)</li> <li>• ISO/IEC 11801, EN 50173</li> <li>• RoHS and reach compliant</li> </ul>
Smoke Emission	: IEC 61034 compliant	
Halogen Content	: IEC 60754-1 / 60754-2	
Jacket UV Resistance	compliant (LSZH) : Not rated for direct outdoor UV exposure	

**PART NUMBER**

**SC-LC Multimode Fiber Patch Cord**

Description	OM1 (62.5/125)	OM2 (50/125)	OM3 (50/125)	OM4 (50/125)
SC/PC-LC/PC 1M DUPLEX PVC	SCZ-7010LSM101	SCZ-7010LSM201	SCZ-7010LSM301	SCZ-7010LSM401
SC/PC-LC/PC 2M DUPLEX PVC	SCZ-7010LSM102	SCZ-7010LSM202	SCZ-7010LSM302	SCZ-7010LSM402
SC/PC-LC/PC 3M DUPLEX PVC	SCZ-7010LSM103	SCZ-7010LSM203	SCZ-7010LSM303	SCZ-7010LSM403
SC/PC-LC/PC 5M DUPLEX PVC	SCZ-7010LSM105	SCZ-7010LSM205	SCZ-7010LSM305	SCZ-7010LSM405
SC/PC-LC/PC 10M DUPLEX PVC	SCZ-7010LSM110	SCZ-7010LSM210	SCZ-7010LSM310	SCZ-7010LSM410
SC/PC-LC/PC 15M DUPLEX PVC	SCZ-7010LSM115	SCZ-7010LSM215	SCZ-7010LSM315	SCZ-7010LSM415
SC/PC-LC/PC 20M DUPLEX PVC	SCZ-7010LSM120	SCZ-7010LSM220	SCZ-7010LSM320	SCZ-7010LSM420
SC/PC-LC/PC 30M DUPLEX PVC	SCZ-7010LSM130	SCZ-7010LSM230	SCZ-7010LSM330	SCZ-7010LSM430

**SC-SC Multimode Fiber Patch Cord**

Description	OM1 (62.5/125)	OM2 (50/125)	OM3 (50/125)	OM4 (50/125)
SC/PC-SC/PC 1M DUPLEX PVC	SCZ-7010SSM101	SCZ-7010SSM201	SCZ-7010SSM301	SCZ-7010SSM401
SC/PC-SC/PC 2M DUPLEX PVC	SCZ-7010SSM102	SCZ-7010SSM202	SCZ-7010SSM302	SCZ-7010SSM402
SC/PC-SC/PC 3M DUPLEX PVC	SCZ-7010SSM103	SCZ-7010SSM203	SCZ-7010SSM303	SCZ-7010SSM403
SC/PC-SC/PC 5M DUPLEX PVC	SCZ-7010SSM105	SCZ-7010SSM205	SCZ-7010SSM305	SCZ-7010SSM405
SC/PC-SC/PC 10M DUPLEX PVC	SCZ-7010SSM110	SCZ-7010SSM210	SCZ-7010SSM310	SCZ-7010SSM410
SC/PC-SC/PC 15M DUPLEX PVC	SCZ-7010SSM115	SCZ-7010SSM215	SCZ-7010SSM315	SCZ-7010SSM415
SC/PC-SC/PC 20M DUPLEX PVC	SCZ-7010SSM120	SCZ-7010SSM220	SCZ-7010SSM320	SCZ-7010SSM420
SC/PC-SC/PC 30M DUPLEX PVC	SCZ-7010SSM130	SCZ-7010SSM230	SCZ-7010SSM330	SCZ-7010SSM430

**LC-LC Multimode Fiber Patch Cord**

Description	OM1 (62.5/125)	OM2 (50/125)	OM3 (50/125)	OM4 (50/125)
LC/PC-LC/PC 1M DUPLEX PVC	SCZ-7010LLM101	SCZ-7010LLM201	SCZ-7010LLM301	SCZ-7010LLM401
LC/PC-LC/PC 2M DUPLEX PVC	SCZ-7010LLM102	SCZ-7010LLM202	SCZ-7010LLM302	SCZ-7010LLM402
LC/PC-LC/PC 3M DUPLEX PVC	SCZ-7010LLM103	SCZ-7010LLM203	SCZ-7010LLM303	SCZ-7010LLM403
LC/PC-LC/PC 5M DUPLEX PVC	SCZ-7010LLM105	SCZ-7010LLM205	SCZ-7010LLM305	SCZ-7010LLM405
LC/PC-LC/PC 10M DUPLEX PVC	SCZ-7010LLM110	SCZ-7010LLM210	SCZ-7010LLM310	SCZ-7010LLM410
LC/PC-LC/PC 15M DUPLEX PVC	SCZ-7010LLM115	SCZ-7010LLM215	SCZ-7010LLM315	SCZ-7010LLM415
LC/PC-LC/PC 20M DUPLEX PVC	SCZ-7010LLM120	SCZ-7010LLM220	SCZ-7010LLM320	SCZ-7010LLM420
LC/PC-LC/PC 30M DUPLEX PVC	SCZ-7010LLM130	SCZ-7010LLM230	SCZ-7010LLM330	SCZ-7010LLM430