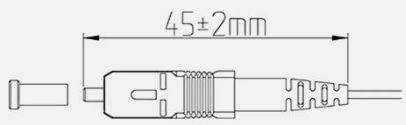


SCHNELL MULTIMODE FIBER PIGTAIL

Schnell multimode fiber pigtails provide reliable, low-loss terminations for short to medium-range data transmission. Available in LC/PC and SC/PC types with OM1, OM2, OM3, and OM4 fiber types. Optimized for high-bandwidth LAN, SAN, and data center environments. These pigtails ensure ease of splicing and minimal signal attenuation.



DIAGRAM & CONSTRUCTION

| | | | | |
|-----------------|-------------------------|--|----------------------|---|
| Fiber Type | : OM1, OM2, OM3 and OM4 |  <p>SC1.2</p> | Fiber Count | : Single core |
| Connector Type | : LC/PC, SC/PC | | Cable Outer Diameter | : 0.9 mm |
| Jacket Material | : LSZH / PVC | | Color Coding | : Orange (OM1/OM2), Aqua (OM3), Violet (OM4)/OS2 standard |

OPTICAL CHARACTERISTICS

| | |
|----------------------|----------------------------------|
| Insertion Loss (Max) | : ≤ 0.30 dB |
| Return Loss (Min) | : ≥ 35 dB (PC) |
| Operating Wavelength | : 850/1300 nm |
| Fiber Conformance | : ISO/IEC 11801, TIA/EIA-492AAAC |

PHYSICAL CHARACTERISTICS

| | |
|-----------------------|------------------------------------|
| Length | : 1 to 3 meters (custom available) |
| Tensile Strength | : ≥ 100 N |
| Minimum Bend Radius | : 30 mm |
| Operating Temperature | : -20°C to +70°C |

KEY FEATURES

- Compatible with OM1, OM2, OM3 & OM4 systems
- High precision factory polishing
- Ideal for fusion splicing
- RoHS & REACH compliant

KEY APPLICATIONS

- Data centers & LANs
- Indoor optical termination
- Short-range fiber connectivity
- High-speed multimedia networks

REACTION TO FIRE

| | |
|-----------------|------------------------|
| Flame Rating | : IEC 60332-1 |
| Smoke Emission | : IEC 61034-2 |
| Halogen Content | : IEC 60754-1, 60754-2 |

STANDARDS

- IEC 61754 & IEC 61300
- ISO/IEC 11801 (OM1, OM2, OM3, OM4 compliant)
- TIA/EIA 568.3-D
- RoHS & REACH Compliant
- IEC 60332-1 (Flame Performance)

PART NUMBER

| Part Number | Description |
|---------------|-----------------------------------|
| SCZ-7010LM1P1 | SCHNELL LC/PC OM1 PIGTAIL 1 METER |
| SCZ-7010LM1P2 | SCHNELL LC/PC OM1 PIGTAIL 2 METER |
| SCZ-7010LM1P3 | SCHNELL LC/PC OM1 PIGTAIL 3 METER |
| SCZ-7010LM2P1 | SCHNELL LC/PC OM2 PIGTAIL 1 METER |
| SCZ-7010LM2P2 | SCHNELL LC/PC OM2 PIGTAIL 2 METER |
| SCZ-7010LM2P3 | SCHNELL LC/PC OM2 PIGTAIL 3 METER |
| SCZ-7010LM3P1 | SCHNELL LC/PC OM3 PIGTAIL 1 METER |
| SCZ-7010LM3P2 | SCHNELL LC/PC OM3 PIGTAIL 2 METER |
| SCZ-7010LM3P3 | SCHNELL LC/PC OM3 PIGTAIL 3 METER |
| SCZ-7010LM4P1 | SCHNELL LC/PC OM4 PIGTAIL 1 METER |
| SCZ-7010LM4P2 | SCHNELL LC/PC OM4 PIGTAIL 2 METER |
| SCZ-7010LM4P3 | SCHNELL LC/PC OM4 PIGTAIL 3 METER |
| | |
| SCZ-7010SM1P1 | SCHNELL SC/PC OM1 PIGTAIL 1 METER |
| SCZ-7010SM1P2 | SCHNELL SC/PC OM1 PIGTAIL 2 METER |
| SCZ-7010SM1P3 | SCHNELL SC/PC OM1 PIGTAIL 3 METER |
| SCZ-7010SM2P1 | SCHNELL SC/PC OM2 PIGTAIL 1 METER |
| SCZ-7010SM2P2 | SCHNELL SC/PC OM2 PIGTAIL 2 METER |
| SCZ-7010SM2P3 | SCHNELL SC/PC OM2 PIGTAIL 3 METER |
| SCZ-7010SM3P1 | SCHNELL SC/PC OM3 PIGTAIL 1 METER |
| SCZ-7010SM3P2 | SCHNELL SC/PC OM3 PIGTAIL 2 METER |
| SCZ-7010SM3P3 | SCHNELL SC/PC OM3 PIGTAIL 3 METER |
| SCZ-7010SM4P1 | SCHNELL SC/PC OM4 PIGTAIL 1 METER |
| SCZ-7010SM4P2 | SCHNELL SC/PC OM4 PIGTAIL 2 METER |
| SCZ-7010SM4P3 | SCHNELL SC/PC OM4 PIGTAIL 3 METER |