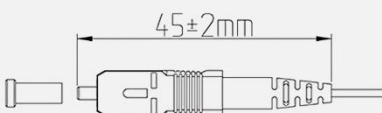


## SCHNELL SINGLEMODE FIBER PIGTAIL

Schnell single mode fiber pigtailed offer high-performance, low-loss terminations for splicing in FTTH, LAN, and telecom networks. Available in LC/PC and SC/PC with OS1 and OS2 fiber types, these pigtailed ensure precise optical alignment and long-term durability. Designed for minimal insertion loss and high return loss performance in indoor or protected environments.



### DIAGRAM & CONSTRUCTION

Fiber Type	: OS1/OS2 (9/125 μm)	 <p>SC1.2</p>	Fiber Count	: Single core
Connector Type	: LC/PC, SC/PC		Cable Outer Diameter	: 0.9 mm
Jacket Material	: LSZH / PVC		Color Coding	: Yellow (OS1/OS2 standard)

### OPTICAL CHARACTERISTICS

Insertion Loss (Max)	: ≤ 0.30 dB
Return Loss (Min)	: ≥ 50 dB (UPC)
Operating Wavelength	: 1310/1550 nm
Fiber Conformance	: ITU-T G.652D

### PHYSICAL CHARACTERISTICS

Length	: 1 to 3 meters (custom available)
Tensile Strength	: ≥ 100 N
Minimum Bend Radius	: 30 mm
Operating Temperature	: -20°C to +70°C

### KEY FEATURES

- Low insertion and high return loss
- Factory pre-terminated and tested
- Suitable for fusion splicing
- Flame-retardant jacket (LSZH/PVC)

### KEY APPLICATIONS

- FTTH & FTTX solutions
- Patch panel termination
- Optical network splicing
- High-speed telecom systems

### REACTION TO FIRE

Flame Rating	: IEC 60332-1
Smoke Emission	: IEC 61034-2
Halogen Content	: IEC 60754-1, 60754-2

### STANDARDS

- IEC 61754 & IEC 61300
- ISO/IEC 11801 (OM1, OM2, OM3, OM4 compliant)
- TIA/EIA 568.3-D
- RoHS & REACH Compliant
- IEC 60332-1 (Flame Performance)

**PART NUMBER**

Part number	Description
SCZ-7010LS1P1	SCHNELL LC/PC OS1 PIGTAIL 1 METER
SCZ-7010LS1P2	SCHNELL LC/PC OS1 PIGTAIL 2 METER
SCZ-7010LS1P3	SCHNELL LC/PC OS1 PIGTAIL 3 METER
SCZ-7010LS2P1	SCHNELL LC/PC OS2 PIGTAIL 1 METER
SCZ-7010LS2P2	SCHNELL LC/PC OS2 PIGTAIL 2 METER
SCZ-7010LS2P3	SCHNELL LC/PC OS2 PIGTAIL 3 METER
SCZ-7010SS1P1	SCHNELL SC/PC OS1 PIGTAIL 1 METER
SCZ-7010SS1P2	SCHNELL SC/PC OS1 PIGTAIL 2 METER
SCZ-7010SS1P3	SCHNELL SC/PC OS1 PIGTAIL 3 METER
SCZ-7010SS2P1	SCHNELL SC/PC OS2 PIGTAIL 1 METER
SCZ-7010SS2P2	SCHNELL SC/PC OS2 PIGTAIL 2 METER
SCZ-7010SS2P3	SCHNELL SC/PC OS2 PIGTAIL 3 METER