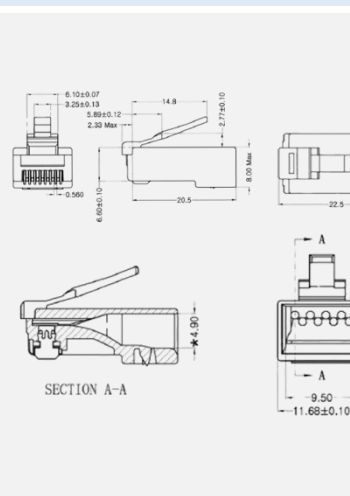


SCHNELL CAT6 UTP RJ45 CONNECTOR

Schnell Category 6 connectors offer high-performance connectivity for Gigabit Ethernet (1000BASE-T) and future-ready applications. Tested up to 250 MHz over 100 meters, they support 23–26 AWG stranded or solid cables. With robust shielding for excellent EMC, they reduce signal interference and resist corrosion from humidity and harsh environments—ideal for patch cord terminations.



DIAGRAM & CONSTRUCTION

<p>Housing Material : Polycarbonate (UL 94 V-0 flame rated)</p> <p>Contact Blade : Copper Alloy</p> <p>Contact Surface : Gold over Nickel</p> <p>Material : 3μ" to 50μ"</p> <p>Gold Plating</p> <p>Thickness</p>		<p>Connector Design Type : 2-piece (RJ45 plug + Loading Bar)</p> <p>Wire Compatibility : 23–26 AWG, Solid or Stranded</p> <p>Available Colors : Transparent (custom colors on request)</p>
--	--	--

ELECTRICAL CHARACTERISTICS

Voltage Rating	: 1000 Volts AC / 60 sec
Contact Resistance	: ≤ 20 mΩ
Insulation Resistance	: ≥ 500 MΩ
Dielectric Withstand	: 1000V AC
Compatibility	: IEEE 802.3af / 802.3at (PoE/PoE+)

MECHANICAL CHARACTERISTICS

Insertion Durability	: ≥ 1200 Cycles
Operating Temperature	: -40°C to +70°C
Humidity Tolerance	: 0–90% RH (non-condensing)

KEY FEATURES

- Meets ANSI/TIA-568.2-D, ISO/IEC 11801, EN50173-2, and IEC 60603-7-4 standards
- Suitable for both solid and stranded 23–26 AWG conductors
- Flame-retardant housing with high-impact strength
- Gold-plated contacts ensure corrosion resistance and signal reliability
- Designed for fast, secure patch cord assembly with loading bar

KEY APPLICATIONS

- Termination of Cat6 patch cords in structured cabling systems
- 1000BASE-T (Gigabit Ethernet) and backward-compatible networks
- VoIP, IP surveillance, and high-speed data transfer
- PoE and PoE+ powered devices
- Data centers, server rooms, and telecom closets

PART NUMBER

Part Number	Description
SCZ-C6RJ	SCHNELL CAT6 RJ45 CONNECTOR

