

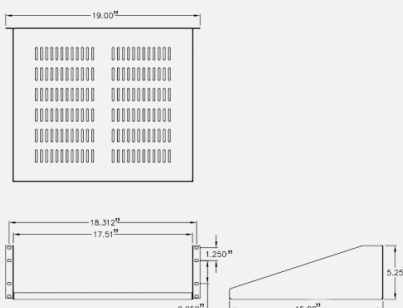
SCHNELL CANTILEVER SHELF

Durable cantilever rack shelves in 1U and 2U sizes, designed for use in standard 19" network or server racks. Made of cold-rolled steel with a corrosion-resistant black powder-coated finish. Ideal for supporting non-rackmount equipment, tools, or accessories in both 2-post and 4-post rack systems.



DIAGRAM & CONSTRUCTION

Body Material	: Cold-rolled steel
Surface Finish	: Black powder-coated, matte
Mounting	: Front-mounted, cantilever type
Material Thickness	: 1.2 mm (1U), 1.5 mm (2U)
Color	: Black (standard Schnell rack finish)



Compatibility	: Fits 19" EIA-ECA-310 standard racks
Included Hardware	: Mounting screws (rack-ready)
Ventilation	: Solid shelf
Shelf Type	: Fixed-position cantilever

ADDITIONAL CHARACTERISTICS

Use with 2-Post Rack	: Supported with back-to-back pairing
Use with 4-Post Rack	: Supported directly
Labeling Option	: Label slots not included
Mounting Hardware	: Included (standard rack screws)

PHYSICAL CHARACTERISTICS

Available Heights	: 1U (44.45 mm), 2U (88.9 mm)
Depth Options	: 12" for 1U, 14–16" for 2U (depending model)
Weight Capacity	: Up to 40 lb (1U), up to 60 lb (2U)

KEY FEATURES

- Supports 40–60 lb (18–27 kg) load capacity
- Suitable for 2-post and 4-post racks
- Easy to install with standard mounting screws
- Space-saving solution for network equipment and accessories

KEY APPLICATIONS

- Supporting non-rackmount devices in data centers
- Storage for tools, modems, switches, or documentation
- Ideal for AV, telecom, and IT installations
- Cost-effective storage in networking cabinets

REACTION TO FIRE

Flammability	: Non-combustible (metal body)
Surface Risk	: Low-smoke, powder-coated steel

STANDARDS

- EIA-ECA-310-E rack mounting standard
- RoHS compliant
- REACH compliant

PART NUMBER

Part Number	Description
SCZ-1010CS1U35	SCHNELL 1U CANTILEVER 350MM FIXED SHELF
SCZ-1010CS1U25	SCHNELL 1U CANTILEVER 250MM FIXED SHELF
SCZ-1010CS2U25	SCHNELL 2U CANTILEVER 250MM FIXED SHELF